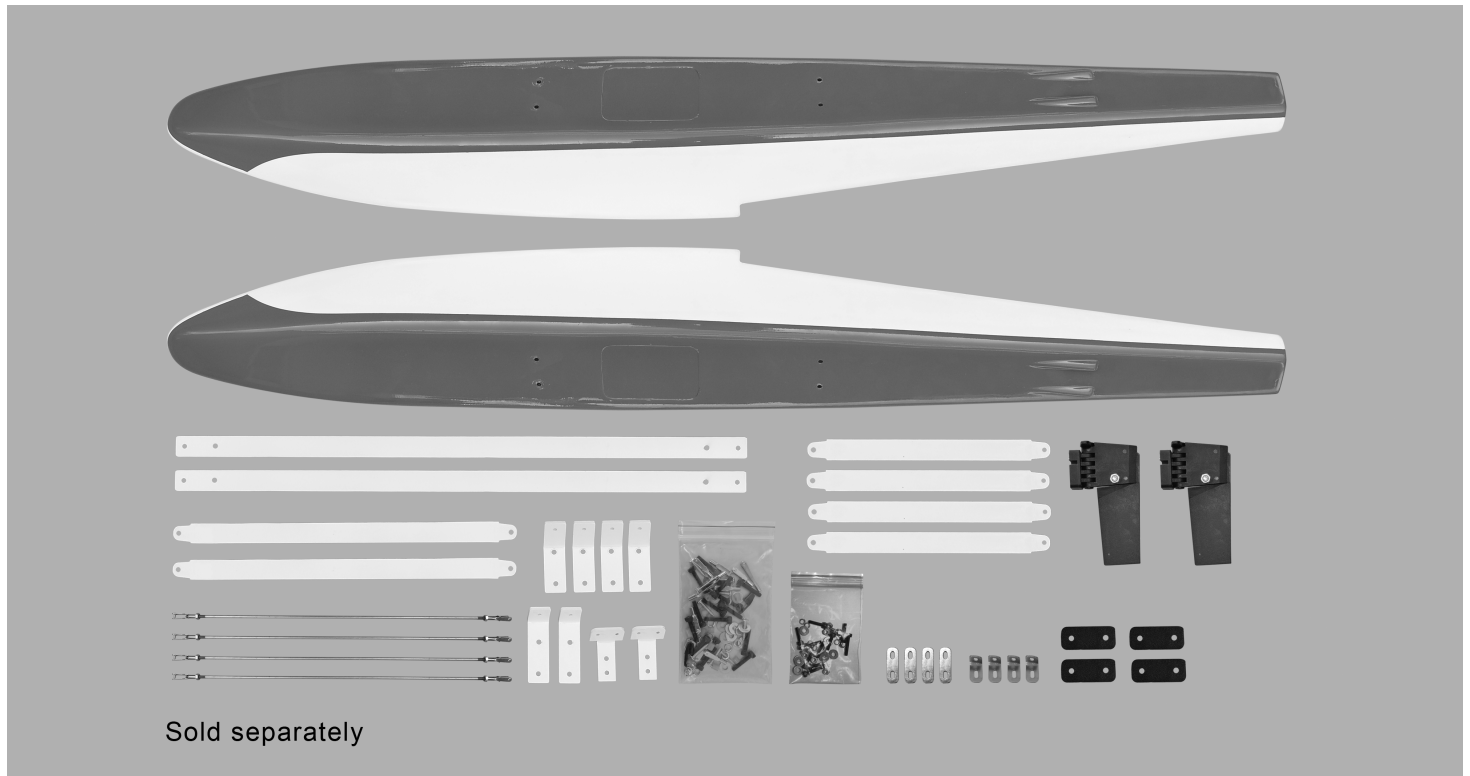


# Instruction Manual



## 1/6 Scale Float Set

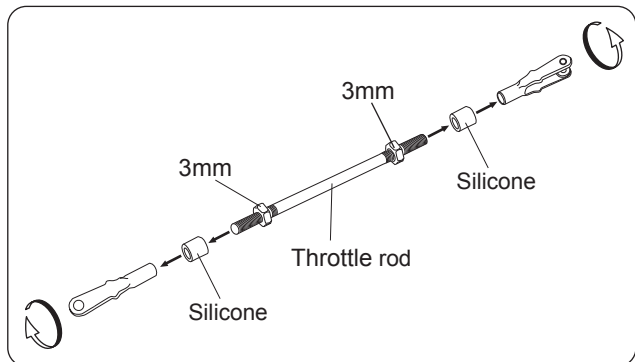
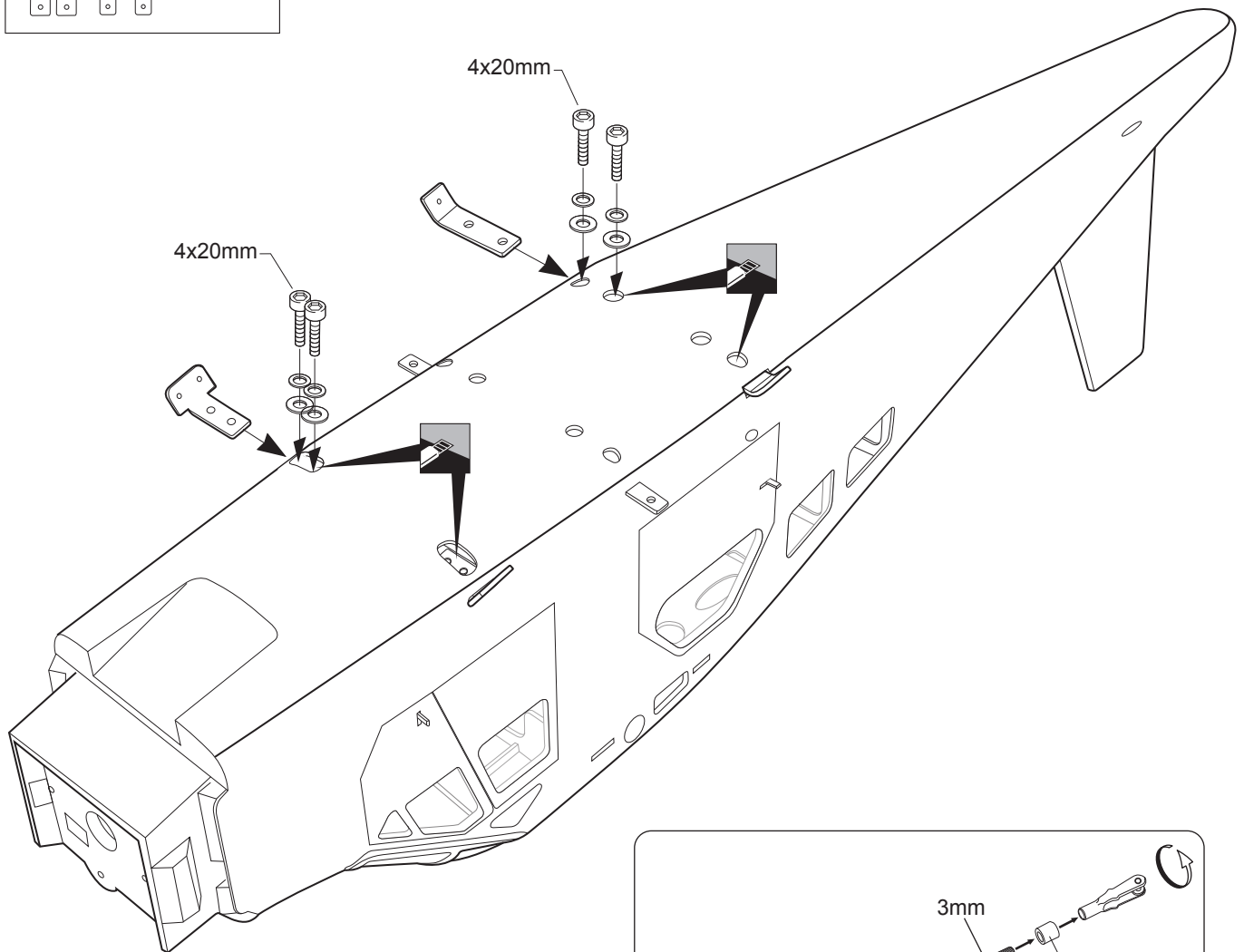
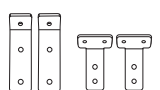
### SPECIFICATION


- Length: 971mm (38,2 in)
- Weight: 2000gr

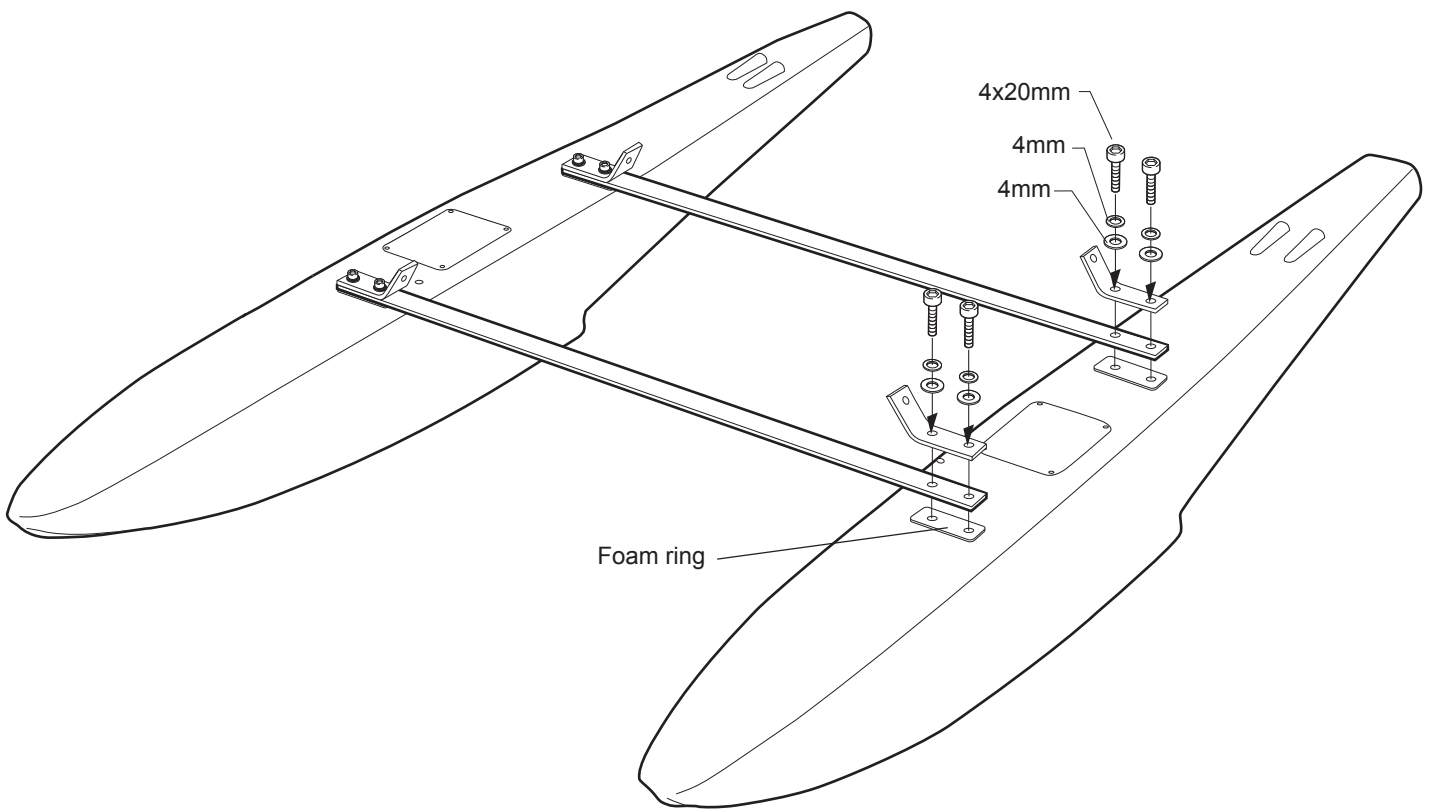
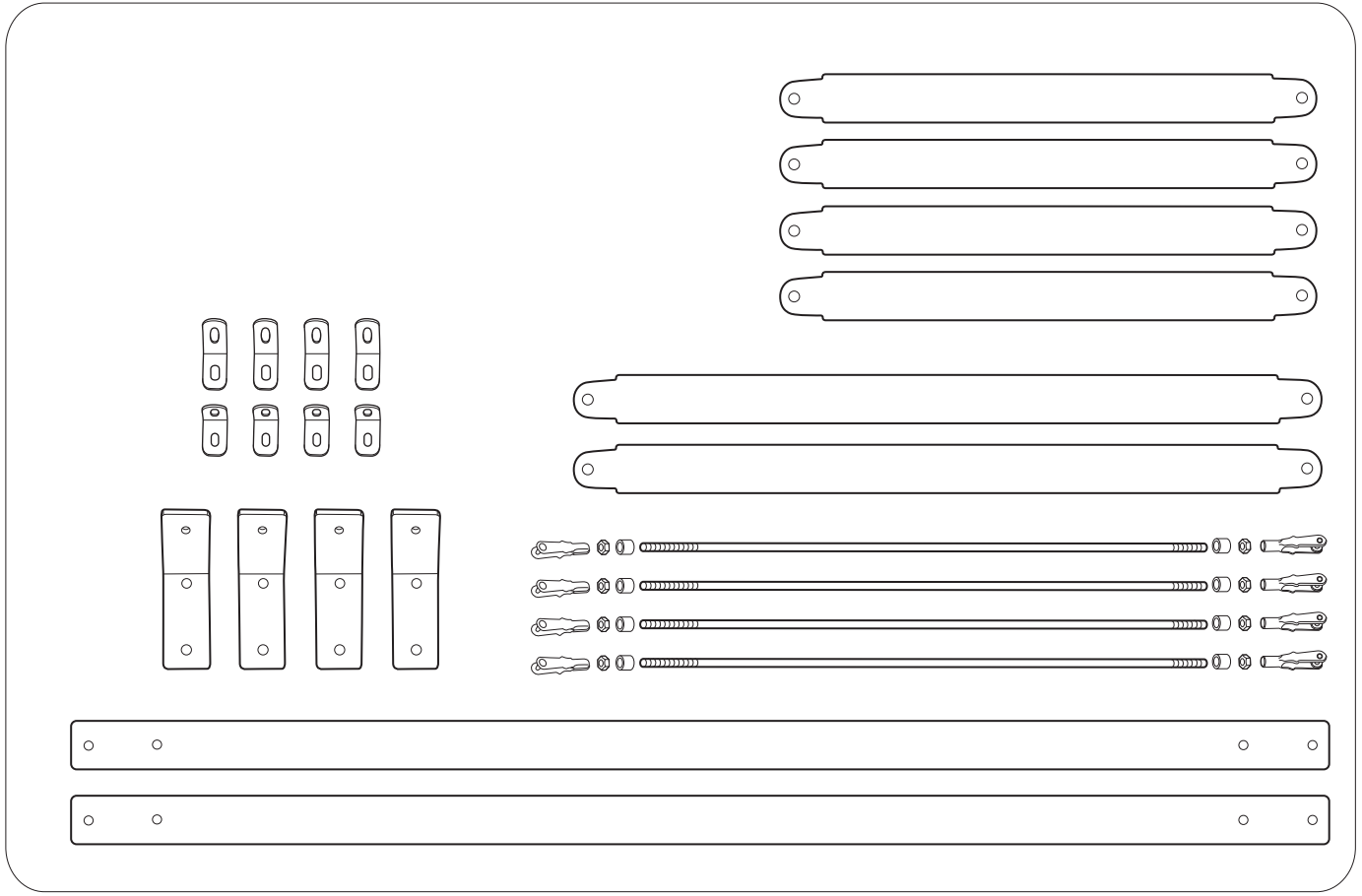
### FEATURES

- Ideal for scale plane size 15-20cc
- Hi quality Painted fiber glass
- Laser cut - Lightweight plywood construction
- Suitable for airplanes 4 -5 kg
- Hi quality hardware included
- Needed 2 servos , Servo Extension, Y- Harness (purchase separately)

4 x 20mm Cap Screw	16
4mm Washer	16
4mm Spring Washer	16
Foam ring	4
290mm Push rod	4

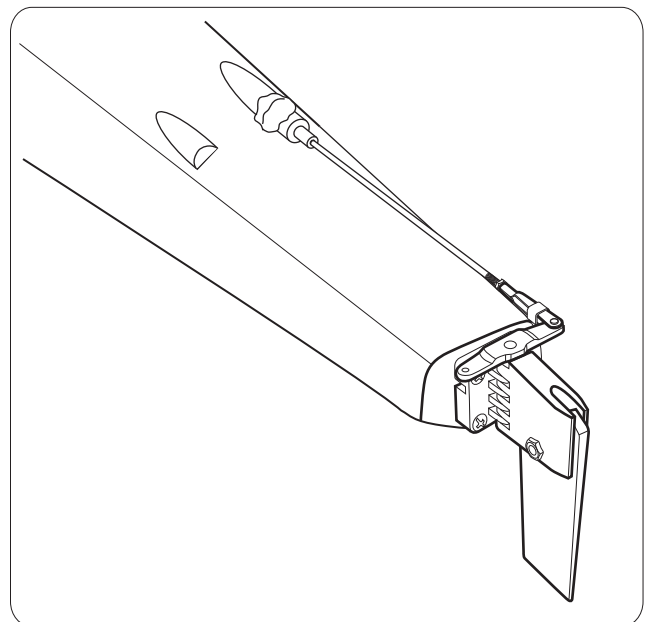
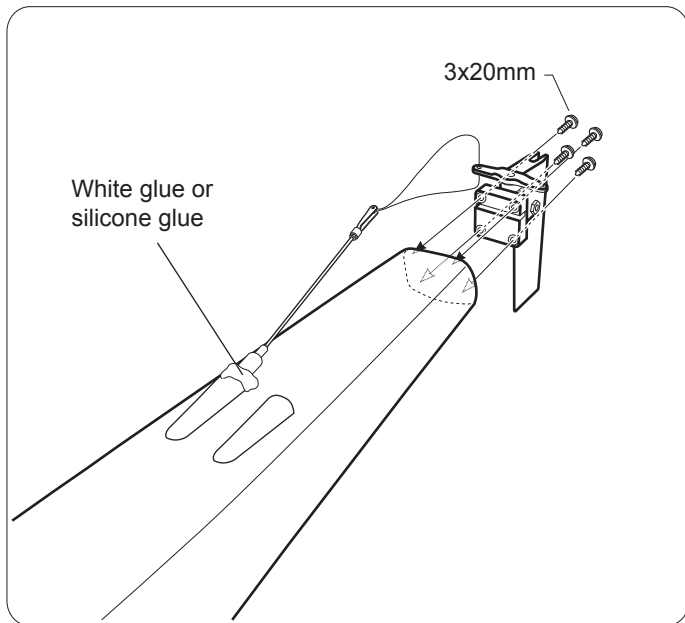
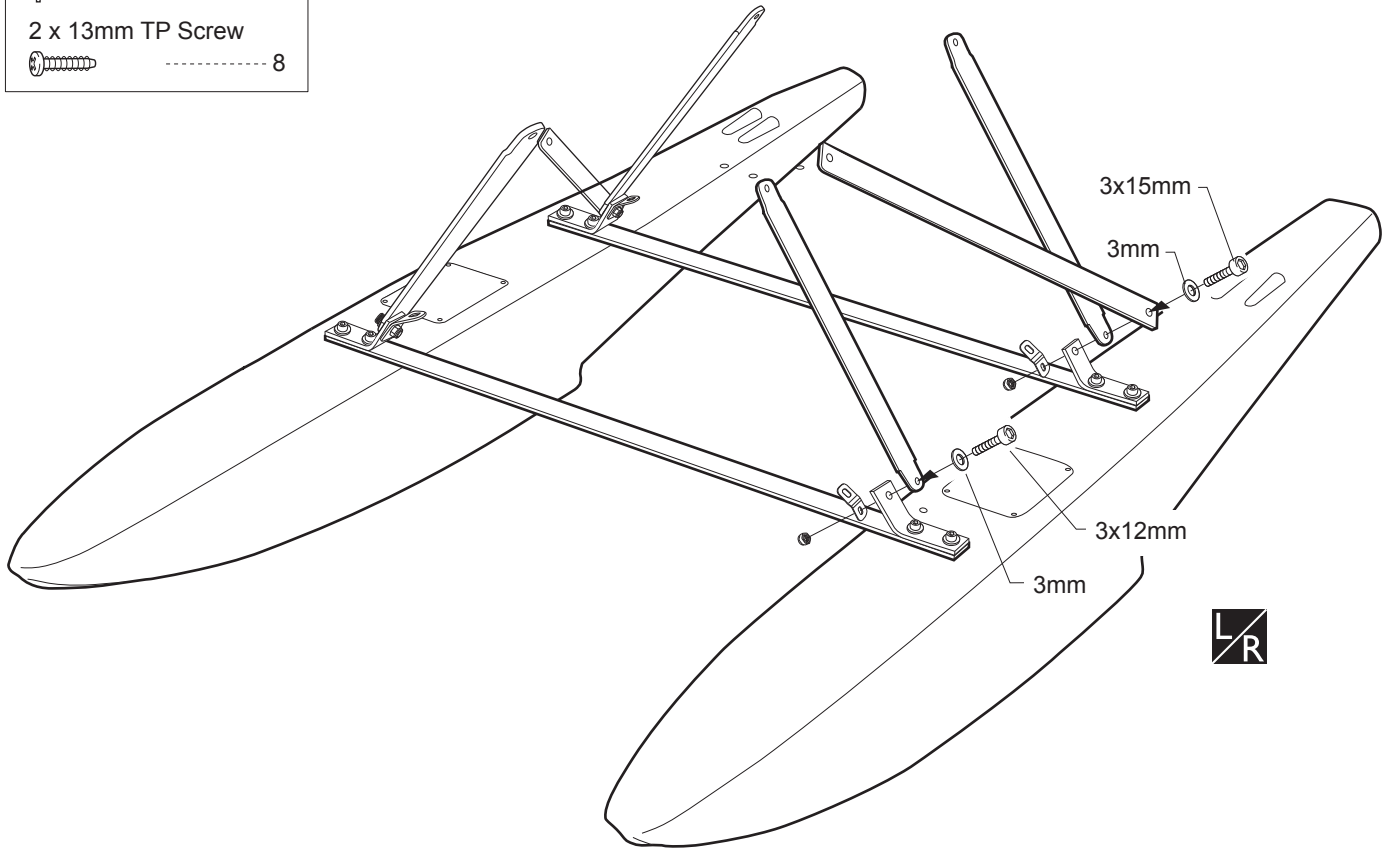


 Cut off shaded portion

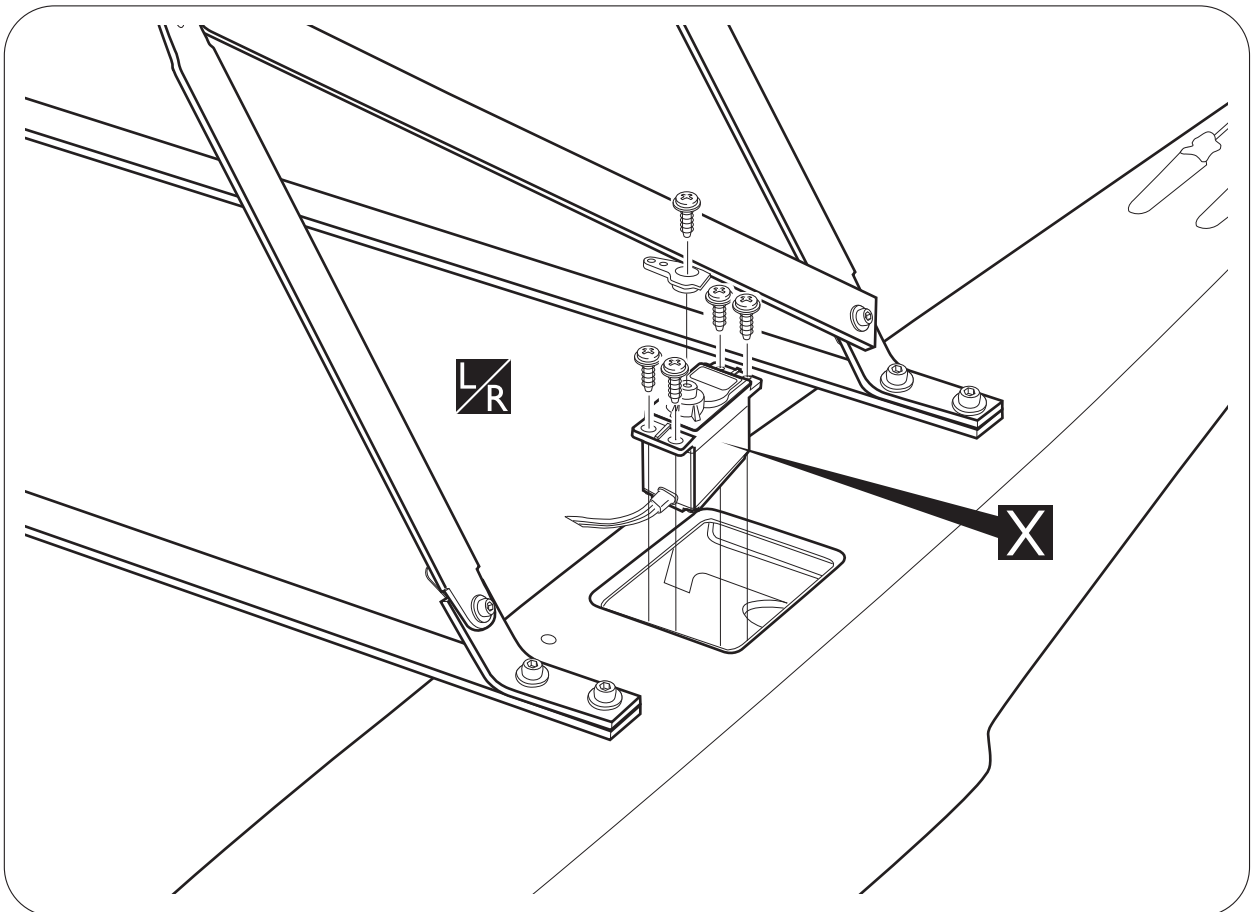
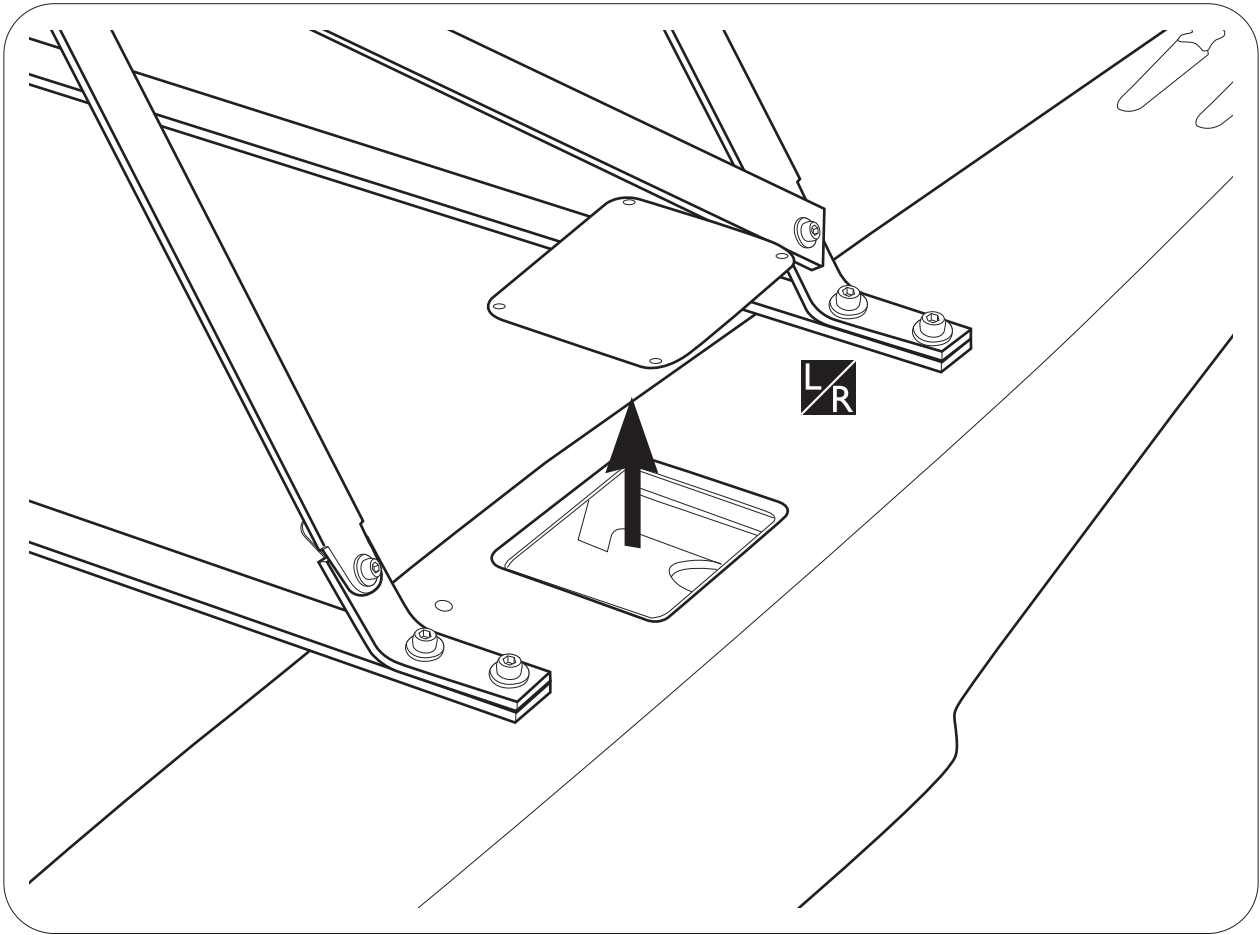



3 x 12mm Cap Screw	8
3mm Washer	10
3 x 20mm TP Screw	8
2 x 13mm TP Screw	8


3 x 15mm Cap Screw	2
3mm Nylon Nut	10

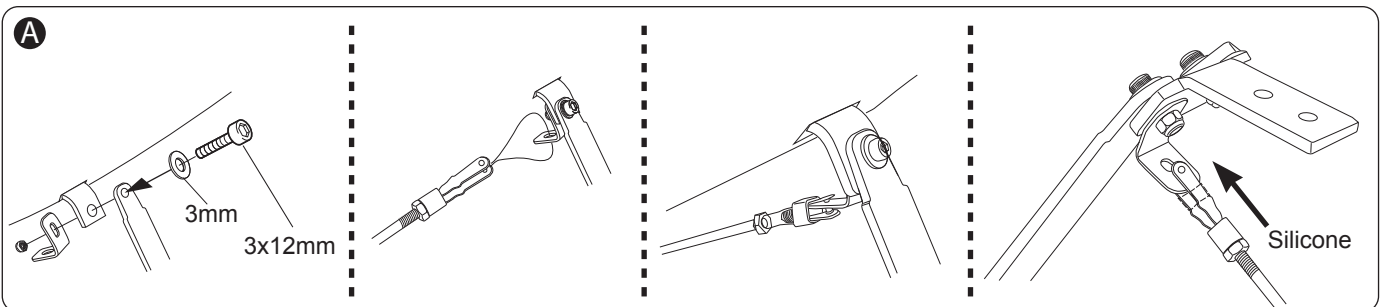
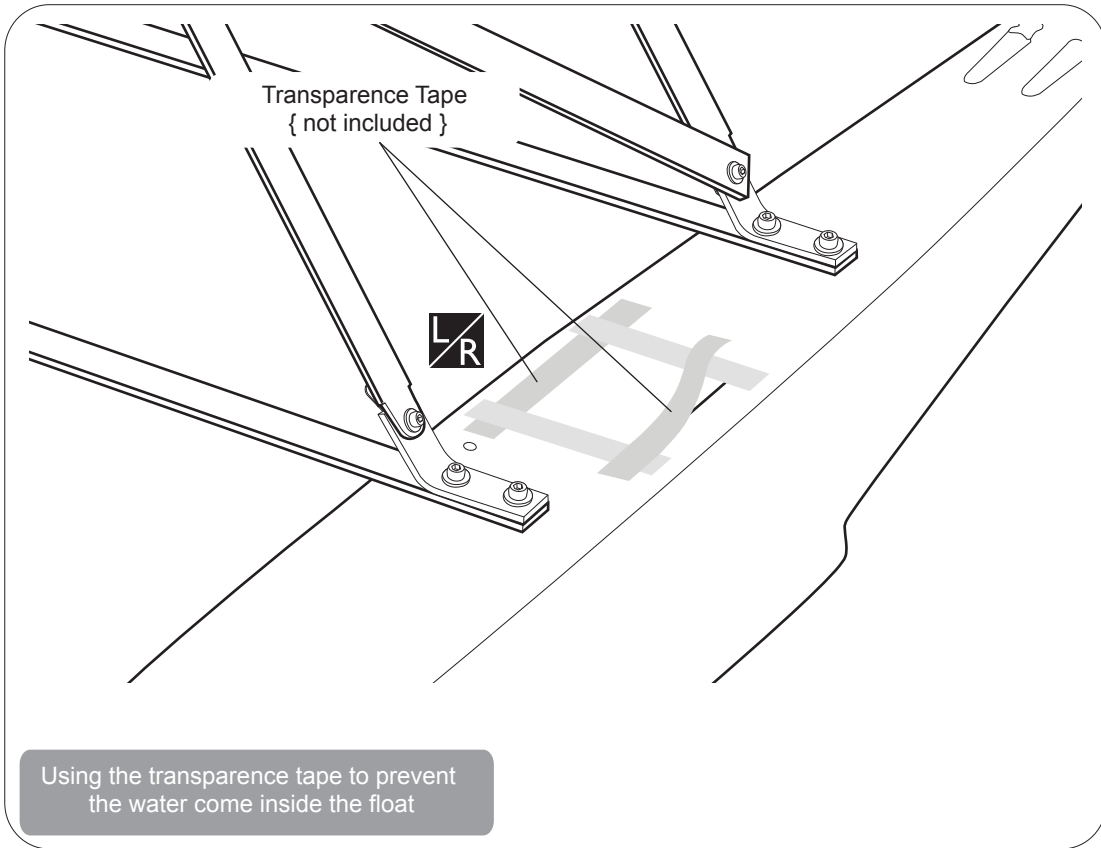
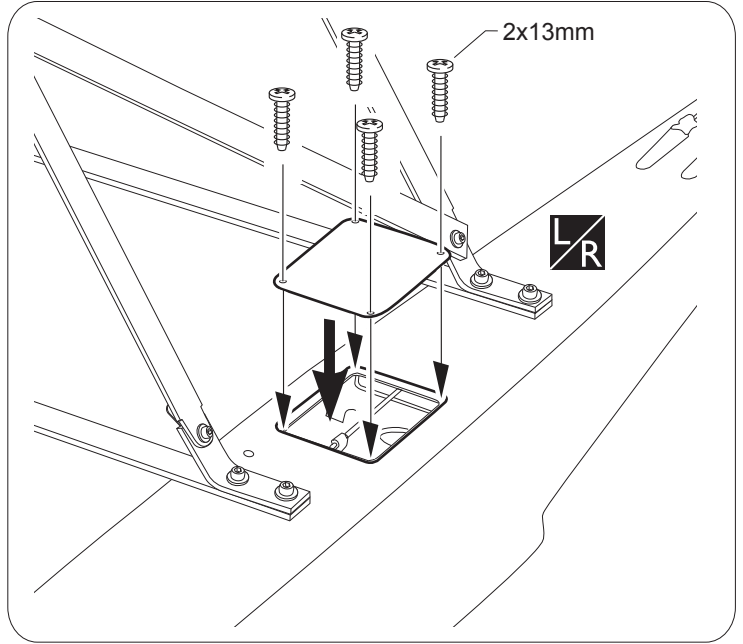
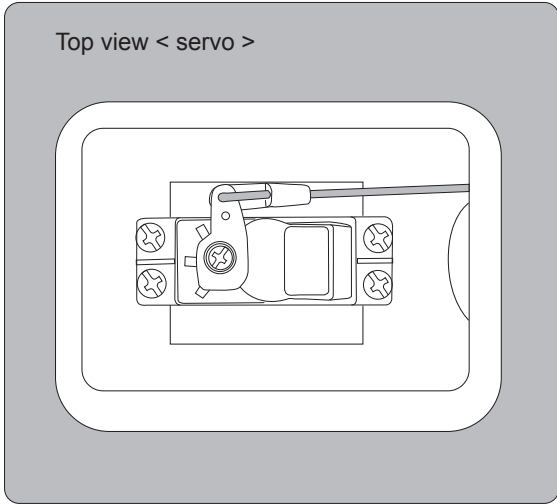



**L/R** Assemble left and right sides the same way

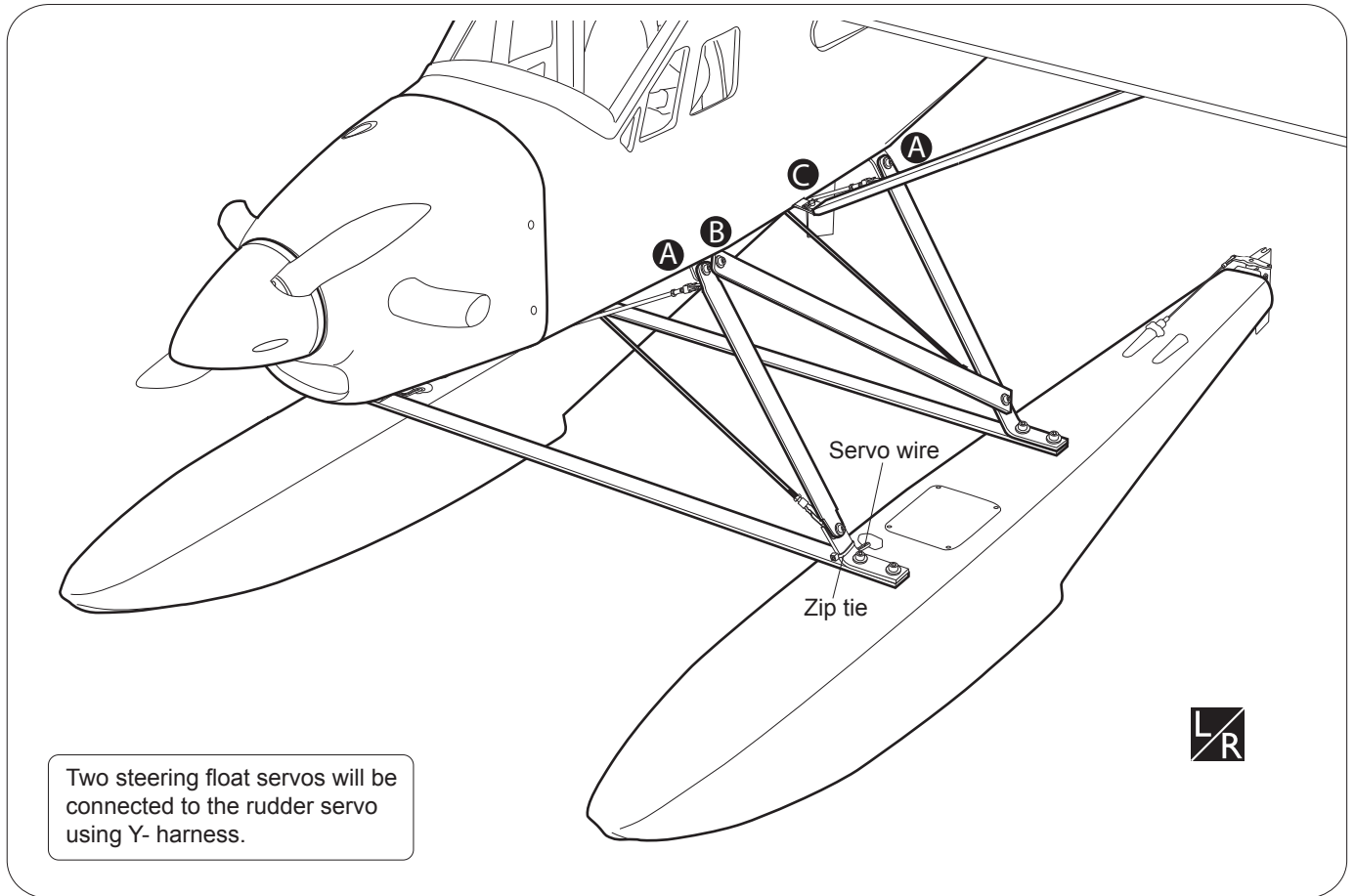


 Assemble left and right sides the same way

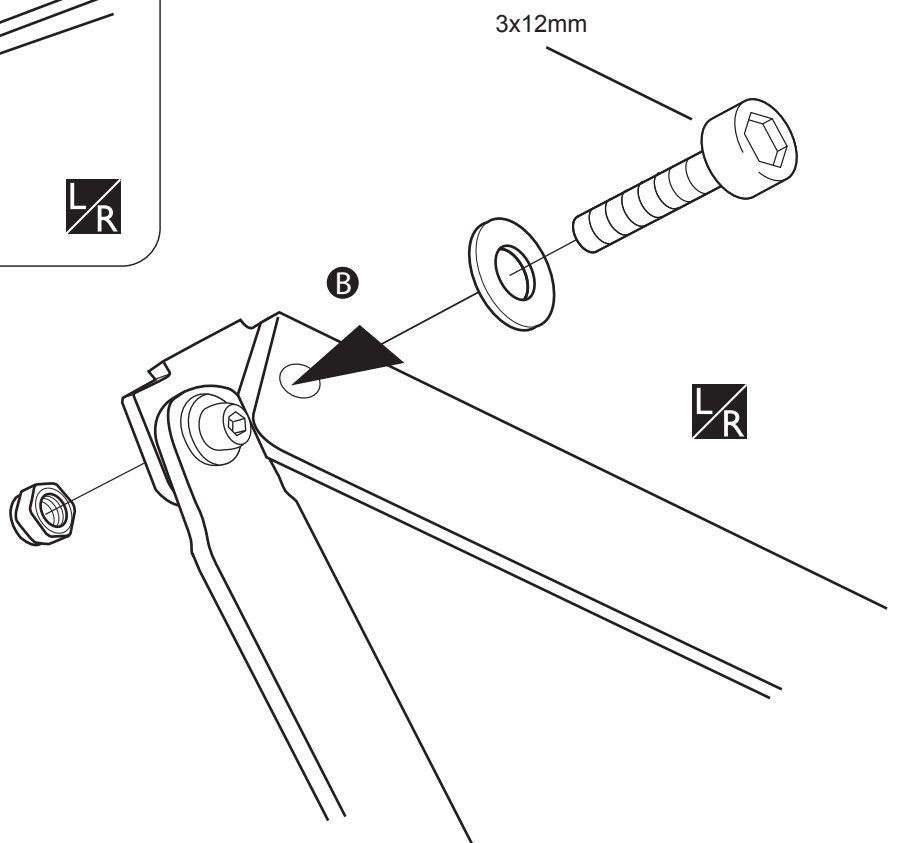
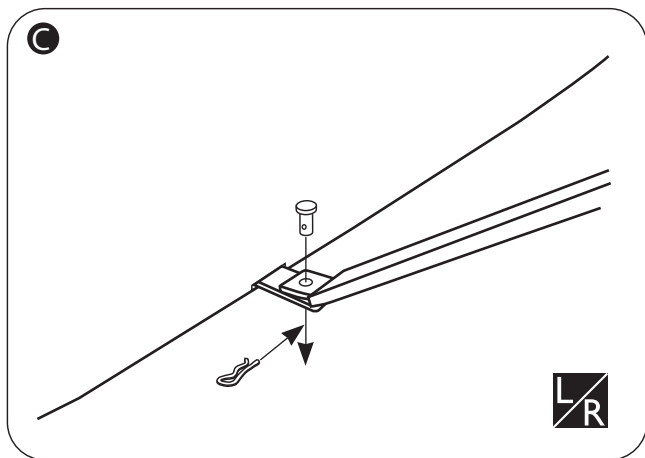
 Must be purchased separately!




 Assemble left and right sides the same way



Two steering float servos will be connected to the rudder servo using Y-harness.



 Assemble left and right sides the same way

